

Gear Series **GB5H**

Spur Reduction Gearhead - 0.8 Nm



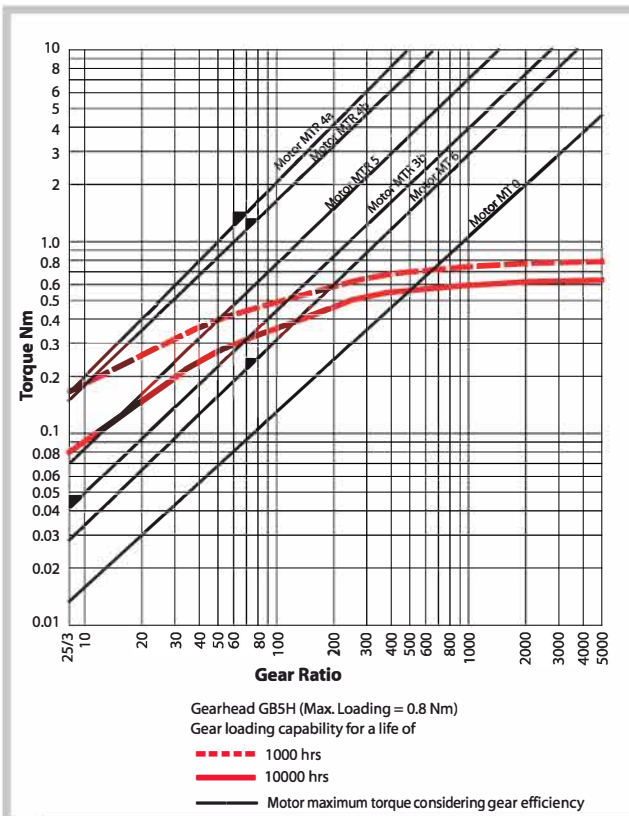
Design

Gearhead GB5H, a moderately priced gearhead, is specially designed to cater to heavy duty application in a small frame. This is a multi step gear box with all thick metal gears that rotate on steel spindles which are polished to a mirror-finish and introduced between metal plates with a plastic frame. All bearings are permanently lubricated and therefore require no maintenance. Motor is attached to the gear box by means of snap clip. Thicker shafts ($\varnothing 6-7\text{mm}$) mounted in robust bushings ($\varnothing 12\text{mm}$) are available in a new variant (GB5HS). GB5H can also be combined with small DC Motors, To achieve higher gear torque, GB5H can be mounted on GB4.

Standard Data

Gear Type		Spur Reduction
Gear Torque	Nm	0.8
Combination with Mechtex motors		MT0,MT6,MTR/S3a/3b,MTR/S-5,MTR/S4a/4b and small DC motors
Mounting		any position
Weight	g	65
Axial thrust	N	20
Lateral force	N	100
Radial torque	Nm	1.5
Slipping clutches/free wheel		not available
Output bearing		Sintered bronze sleeve bushings, (Ball bearing on request)
Output shafts	\varnothing	3.175,4.00,4.76,5.00,6.00 & 7.00 (others on request)
Ambient temperature operation	$^{\circ}\text{C}$	-15...+ 55
Enclosure	IP	40

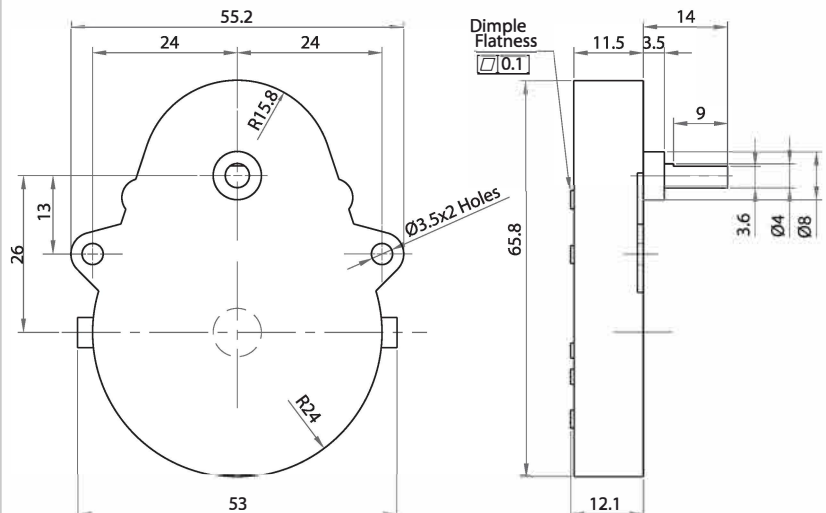
Torque/Transmission Ratio/Life Graph



Transmission Ratios

For Transmission Ratios refer to page no.6

Dimensional Drawing

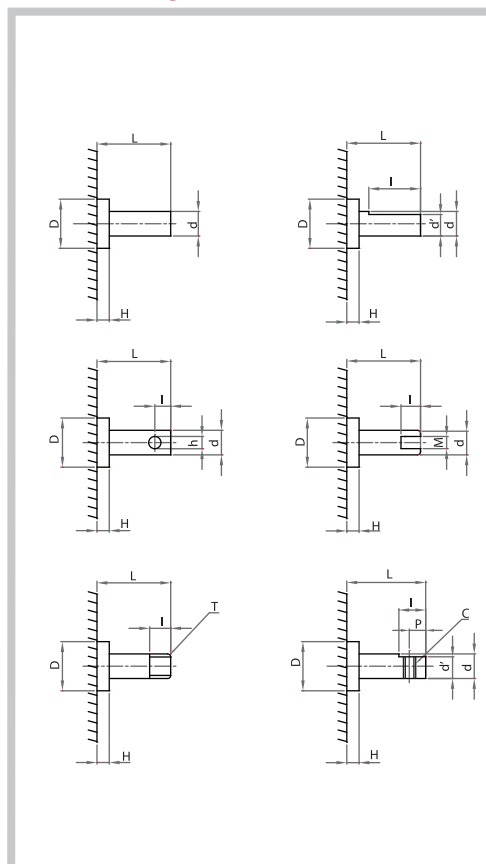


Gear Series GB5H

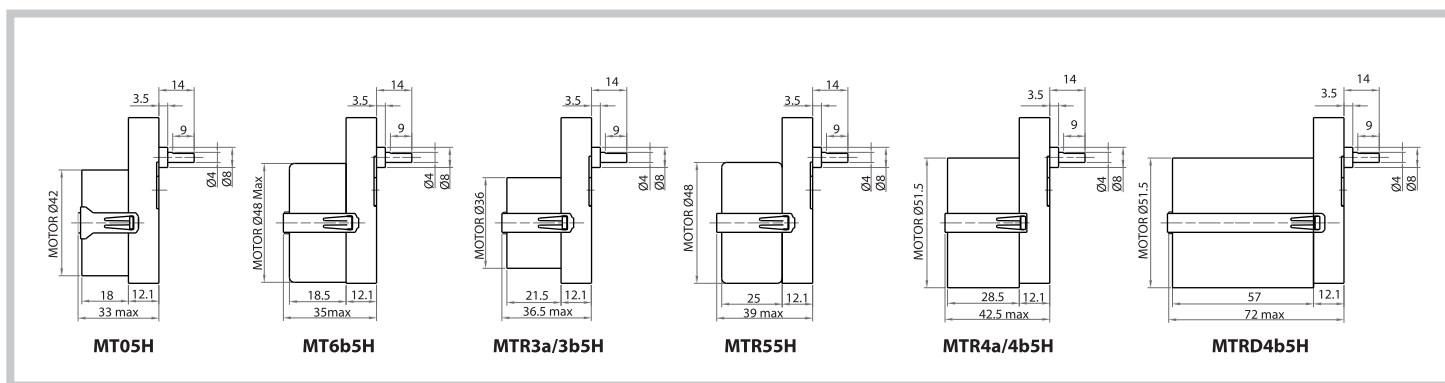
Spur Reduction Gearhead - 0.8 Nm

Shaft Type Catalogue

Shaft type	(+0.00/-0.10)	H	L _D	Shaft Diam.	d	l	d'	P	M	T	h	C
OS	8	3.5	14	3.175	9	2.8						
OA	8	3.5	11	3.175	6	2.8						
OB	8	3.5	18	3.175	13	2.8						
OC	8	3.5	23	3.175	18	2.8						
OD	8	3.5	14	4	9	3.6						
OE	8	3.5	18	4	13	3.6						
OF	8	3.5	23	4								
OG	8	3.5	14	4.764	9	4.2						
OH	8	3.5	18	4.764	13	4.2						
OI	8	3.5	22	4.764	11	4.2						
OJ	8	3.5	24	4.764	19	4.2						
OK	8	3.5	27.5	4.764	20	4.2						
OL	8	3.5	10	4.764	6	4.2						
OM	8	3.5	14	3.175	11.5					1/8"		
ON	8	3.5	14	6.35	7				3			
OO	8	3.5	23	4	10						2	
OP	8	3.5	12	4								
OQ	8	3.5	22.5	5	5.5						2	
OR	12	3.5	17	6	10	5.4						
OT	12	3.5	23	6	16	5.4						
OU	12	3.5	28	6	18	5.4						
OV	12	3.5	54	6								
OW	12	3.5	24	7	17	6	9					M4
OX	12	3.5	17	7	10	6.3						
OY	12	3.5	23	7	15	5						
OZ	12	3.5	23	7								
PA	12	3.5	28	7	18	6.3						
PB	12	3.5	54	7								
PC	12	3.5	41.5	6	34	5.4						



Assembly Drawings



Photographs

