

# Gear Series **GBB**

## Spur Reduction Gearhead - 0.5 Nm



### Design

The gearhead GB B is a spur reduction gearhead with 33mm OD & OFF centre shaft meant specially for DC motors with diameters up to 33 mm. It has a possibility of 5 to 8 stage reduction with initial stages are poly-acetal gears & final stages will be steel sintered. All bearings are permanently lubricated & therefore require no maintenance. Motor is attached to gear box by means of screws. The nominal torque rating for this gearhead is 0.5 Nm with peak torque range up to 0.8 Nm. This gearhead has been categorised in 3 different housing sizes as per gear reduction for 4, 6 & 8 stages.

### Technical Data

Gear Torque	Nm	0.5
Gear Type		Spur (1st pair helical)
Combination with Mechtex motors		DC24 / DC28 / D32 / DC30* others on request
Mounting		any position ; preferably with shaft horizontal
Weight	g	Variable with reduction stages (140 approx)
Axial thrust	N	15
Lateral force	N	50
Radial torque	Nm	0.6
Output bearing		Sintered Bronze sleeve bushings
Output shafts	Ø	dia.5 x 12 mm (with a flat) others on request
Ambient temperature operation	°C	-15...+ 55
Enclosure	IP	30

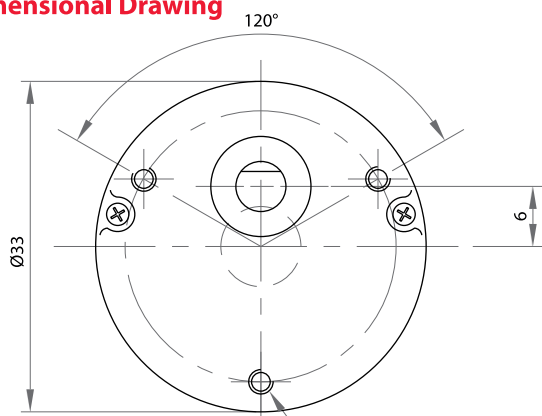
### Transmission Ratios

GB-2 - 3.5\*, 4.67\*, 6, 8, 8.75\*, 11.67\*, 15, 20, 21.875\*, 29.17\*, 37.5, 50, 54.69\*, 72.92\*, 94, 125, 136.72\*, 182.29\*, 235, 312.5

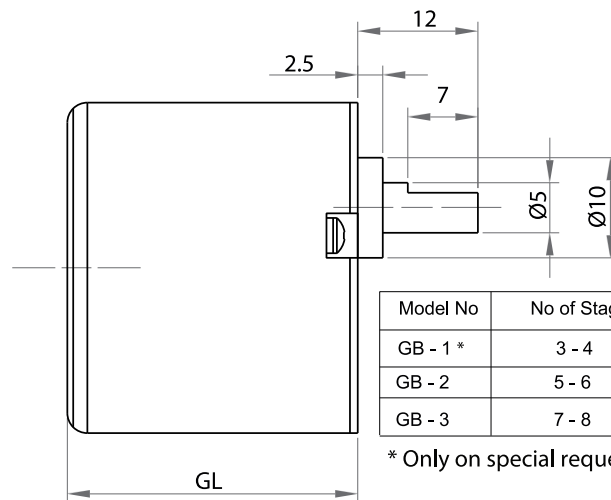
GB-3 - 341\*, 455.73\*, 586, 781.25, 854.5\*, 1139\*, 1465, 1953.125

Note - DC30 motor possible with ratios marked with \* suffix

### Dimensional Drawing



M3 x 0.5 x 5mm Deep Max.  
x 3 nos Mounting Holes  
at 120° On 27 P.C.D.



Model No	No of Stages	GL
GB - 1 *	3 - 4	19.7
GB - 2	5 - 6	24.4
GB - 3	7 - 8	29.0

\* Only on special request

### Photographs

