

Motor Series **MTS3L**



Stepper Linear Actuator

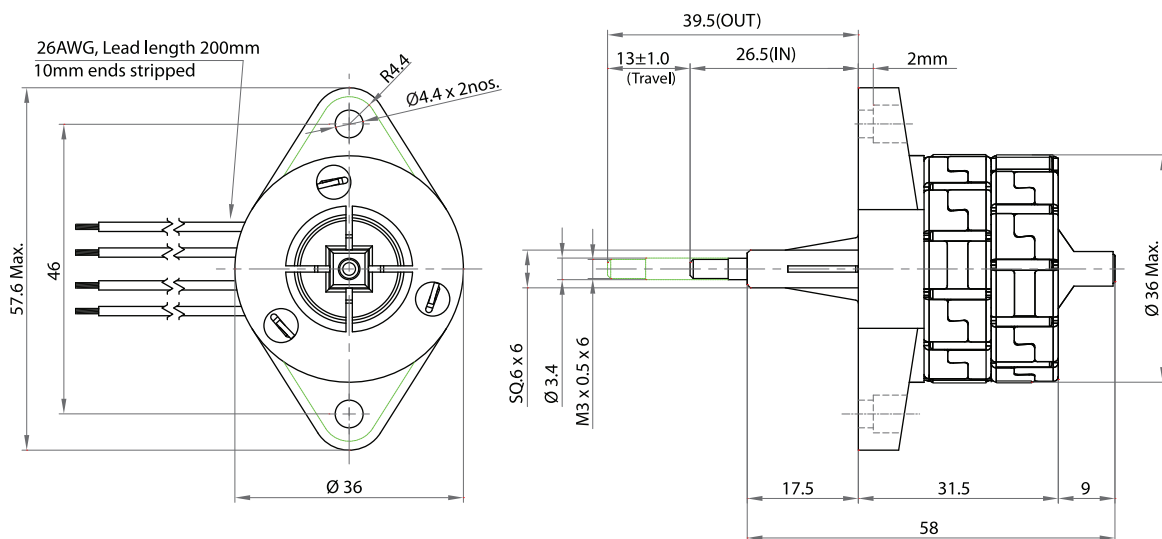
Standard Data

Motor type		Stepper Linear Actuator
Thermal Class	°C	105
Electrical Enclosure	IP	40
Connectoins		Flexible Leads 26 AWG, 200mm length; ends stripped 10 mm
Life Expentancy		> 100 k cycles at rated torque
Mounting		any position
Weight	g	90
Rotor Shaft		Copper alloy
Bearing		Ball bearing

Technical data

Steps per Revolution		24			
Winding Type		bipolar			
Standard Voltage	V	3	6	12	24
Resistace per Winding	Ω	11.5	18.5	100	460
Winding Type		unipolar			
Standard Voltage	V	3	6	12	24
Resistace per Winding	Ω	12	28.5	120	500
Max Force	N	20* (*on special winding only)			
Travel / Step	mm	0.033			
Linear Travel	mm	13			
Linear Speed @200 Hz	mm/ sec	6.67			
		(others on request)			

Dimensional Drawing



Ordering Data (eg.)

13L N D3 P R

