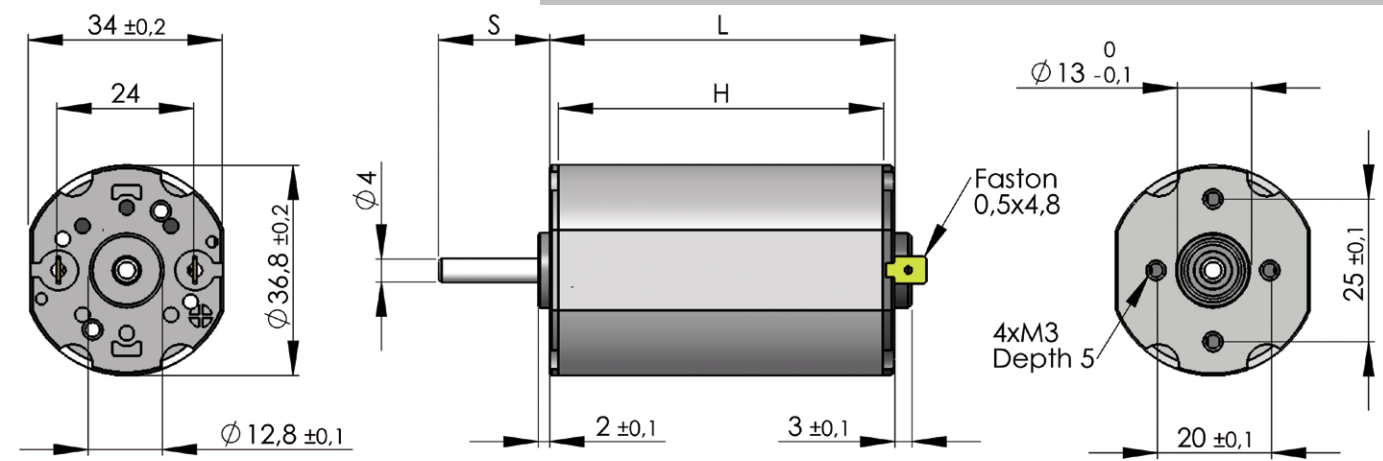


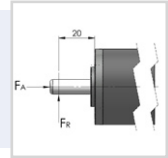
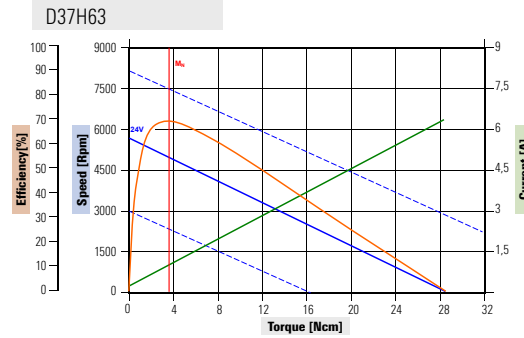
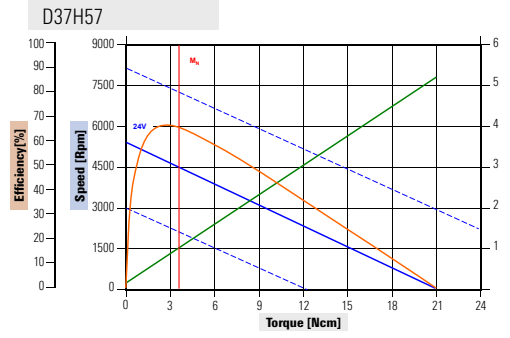
1. DC Motor with permanent magnet
2. 8 blades commutator
3. Graphit-copper brushes
4. Zinc plated motor housing
5. Ball bearing on drive shaft side
6. Operation in both directions
7. Service life 3.000 hrs at nominal data
8. Insulation class B
9. IP30 protection class (optionally higher)
10. EMC suppressor available on demand

Model: D37

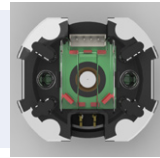
SPECIAL WINDINGS AVAILABLE ON DEMAND
SPECIAL OUTPUT SHAFT AVAILABLE ON DEMAND
OPTIONAL ENCODER



Nominal data	D37H57		D37H63		
	12V	24V	12V	24V	
Winding	34-038	65-028	33-040	52-0315	
NO LOAD SPEED	Rpm	4800	5400	4600	5700
NO LOAD CURRENT	A	0,45	0,25	0,4	0,3
NOMINAL SPEED	Rpm	4100	4600	3900	4850
NOMINAL TORQUE	Ncm	3	3,5	3	3,8
NOMINAL CURRENT	A	1,9	1,1	1,5	1
NOMINAL OUTPUT POWER	W	13	16	12	18
EFFICIENCY	%	64	68	66	70
STARTING TORQUE	Ncm	18	21	24	29
STARTING CURRENT	A	9	5,2	10	6,2
ROTOR MOMENT INERTIA	gcm ²	60	60	65	65
WEIGHT	Kg	0,25	0,25	0,3	0,3
LENGTH L	mm	61	61	67	67



MAX SHAFT LOAD
 F_A (Axial Load) = 20 N
 F_R (Radial Load) = 40 N
[at 20 mm from motor flange]



MAGNETIC ENCODER
(1 or 2 channel, up to 5 ppr)