

Motor Series MTS4a

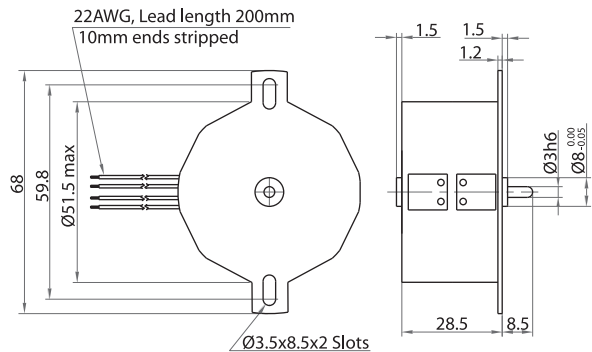
Stepper Motor 7.5°



Standard Data

| | | |
|----------------------|----|--|
| Motor type | | Permanent Magnet (PM) stepper motor |
| Electrical Enclosure | IP | 40 |
| Connections | | Flexible Leads 22 AWG, 200mm length; ends stripped 10 mm |
| Life expectancy | | 3 years in continuous operation |
| Weight | g | 200 |
| Mounting | | Any position by ears or screw clip |

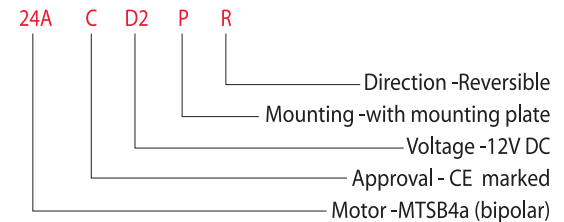
Dimensional Drawing



Technical Data

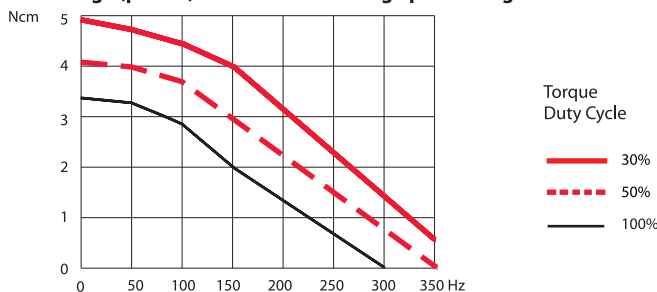
| | | | | |
|------------------------|------------------|-----|----------|--------------|
| Steps per revolution | | | | 48 |
| Degree/step | | | | 7.5 |
| Winding Type | | | | bipolar |
| Standard Voltage | V | 6 | 12 | 24 |
| Resistance per winding | Ω | 9.5 | 61 | 251 |
| Winding Type | | | | unipolar |
| Standard Voltage | V | 6 | 12 | 24 |
| Resistance per winding | Ω | 15 | 61 | 251 |
| Winding temperature | °C | | | 105 max. |
| Holding torque | Ncm | 6.2 | (MTSB4a) | 4.5 (MTSU4a) |
| Axial Force | N | | | 3 |
| Lateral Force | N | | | 6 |
| Rotor inertia | gcm ² | | | 6 |

Ordering Data (eg.)

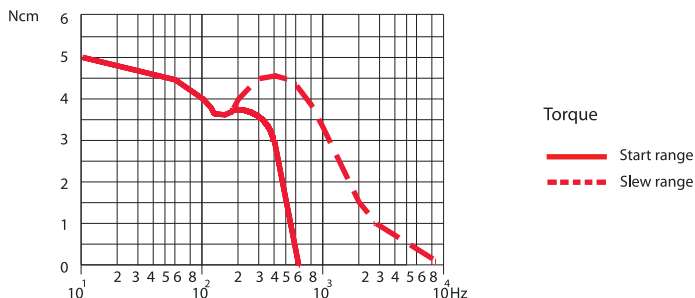


Torque Graphs

Start range (pull-in) with constant voltage power stage

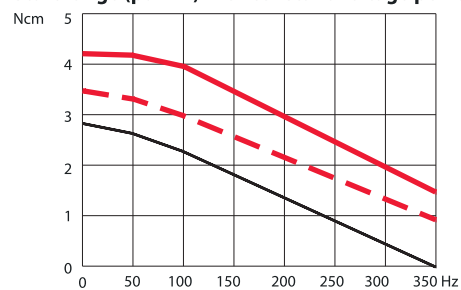


2-Phase stepper Motor MTSB4a

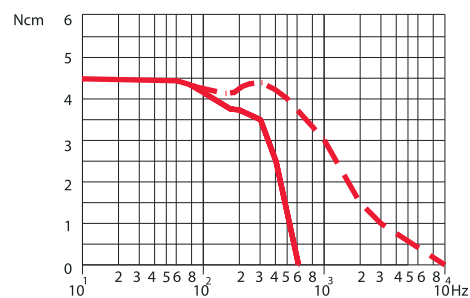


Slew range (pull-out) and start range (pull-in) with constant current power stage (chopper Drive)

Start range (pull-in) with constant voltage power stage



4-Phase Stepper Motor MTSU4a



Slew range (pull-out) and start range (pull-in) with constant current power stage (chopper Drive)