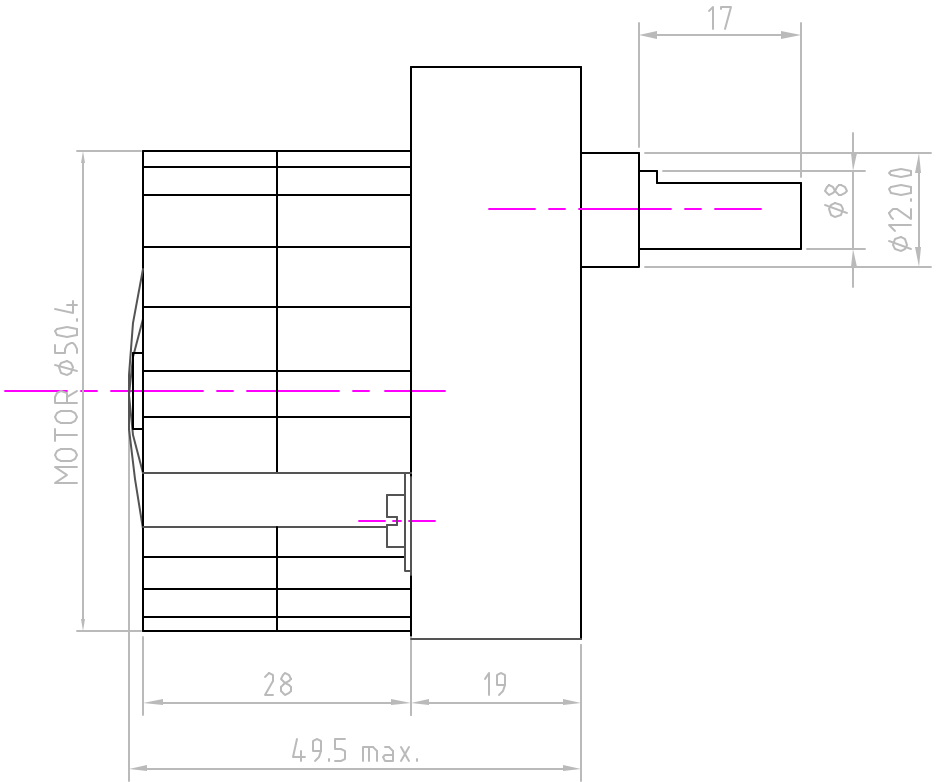
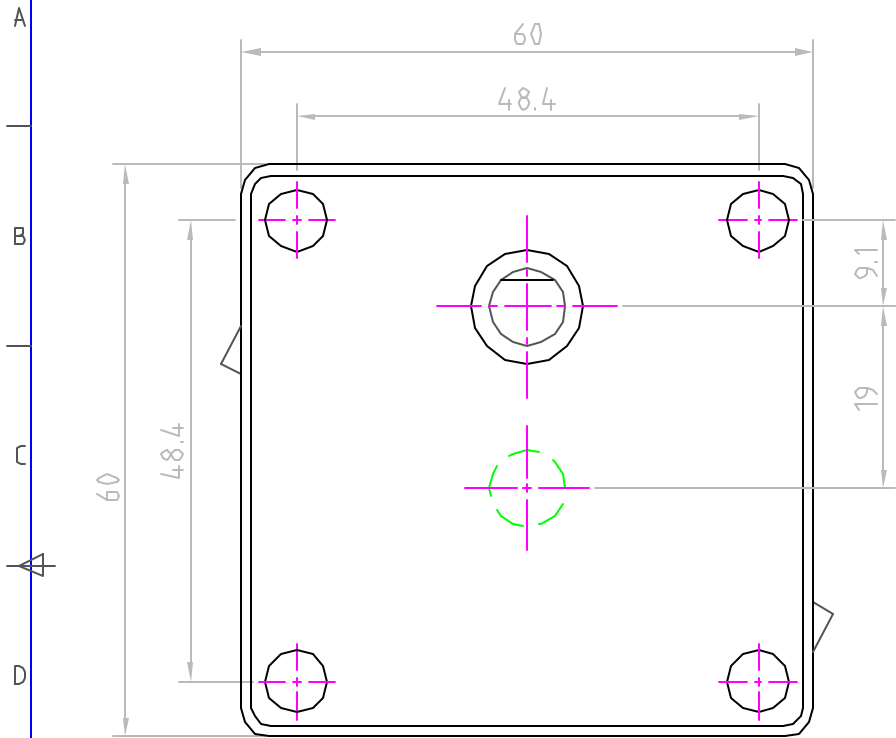


Issue/RevNo	Revision note	Date	Signature	Checked
1.1	Original Issue	1/7/13		



Itemref	Quantity			Article No./Reference	
Designed by Tarak Bhagat	Checked by	Approved by - date	Date 1/7/2013	Scale	
<b>Assembly Drawing - MTR4b3</b>				DRAWING_NUMBRR	Edition Sheet