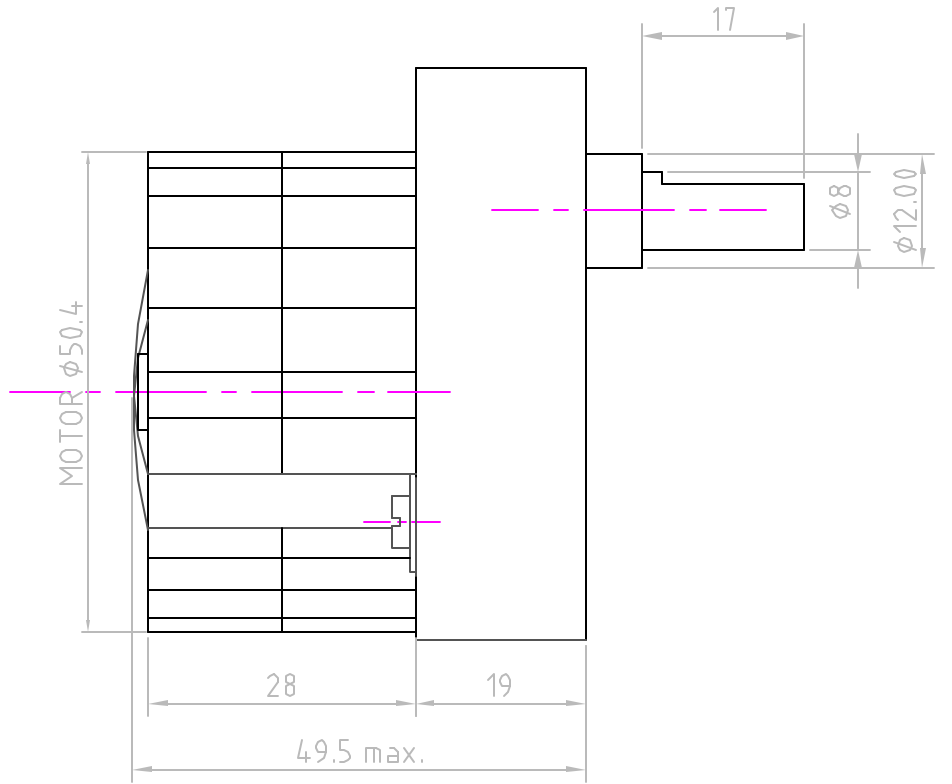
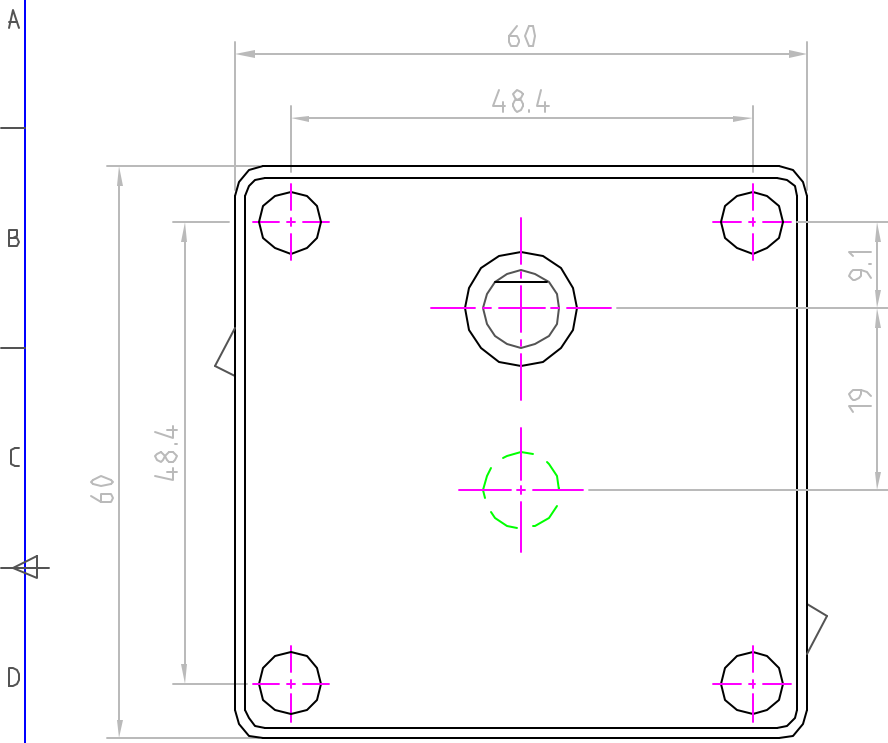


Issue/RevNo	Revision note	Date	Signature	Checked
1.1	Original Issue	1/7/13		



Item no.	Quantity			Article No./Reference	
Designed by Tarak Bhagat	Checked by	Approved by - date		Date 1/7/2013	Scale
Assembly Drawing - MTR4a3				DRAWING_NUMBRR	Edition Sheet