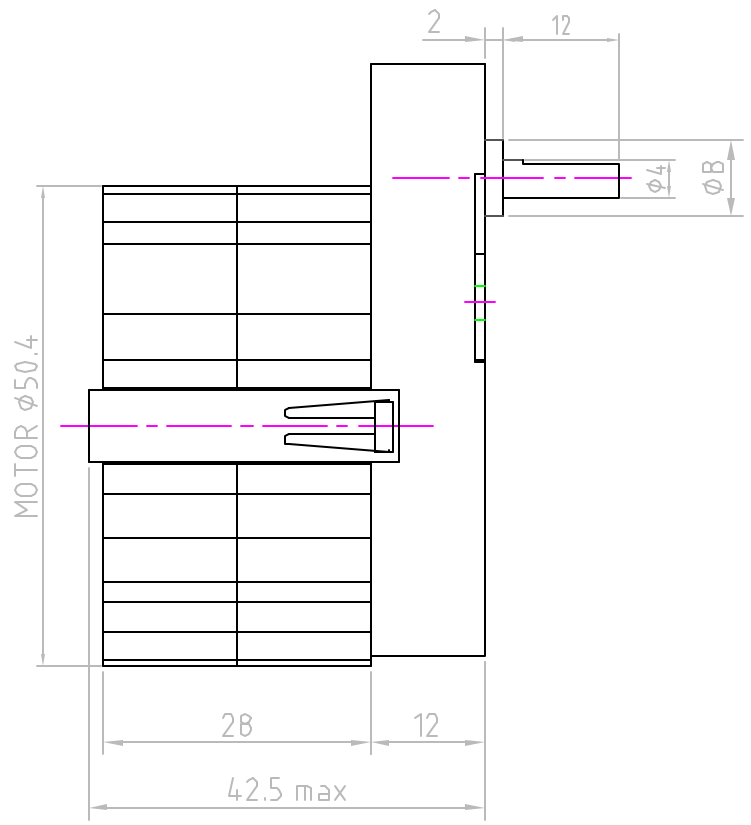
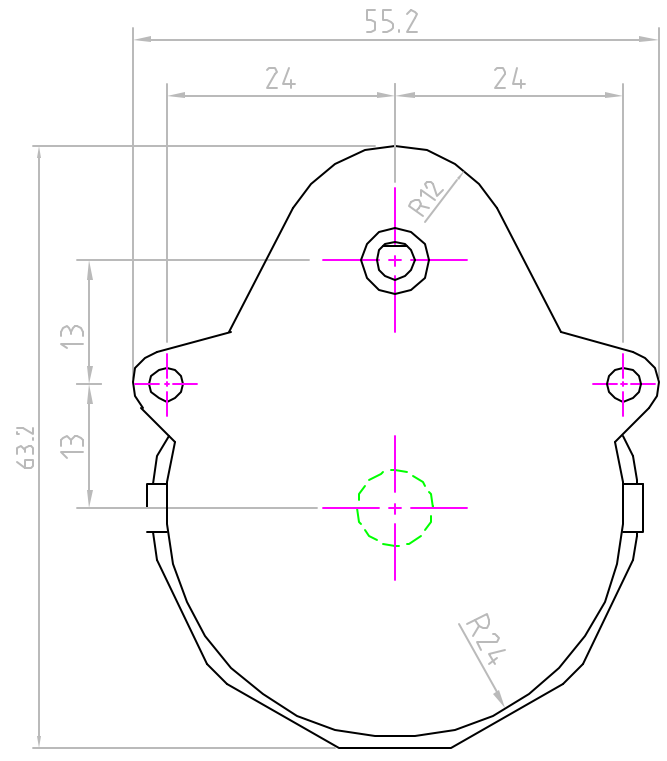


Issue/RevNo	Revision note	Date	Signature	Checked
1.1	Original Issue	7/1/13		



Item no	Quantity			Article No./Reference	
Designed by Tarak Bhagat	Checked by	Approved by - date	Date 1/7/13	Scale	
Assembly Drawing MTR4a2					
DRAWING_NUMBER				Edition	Sheet