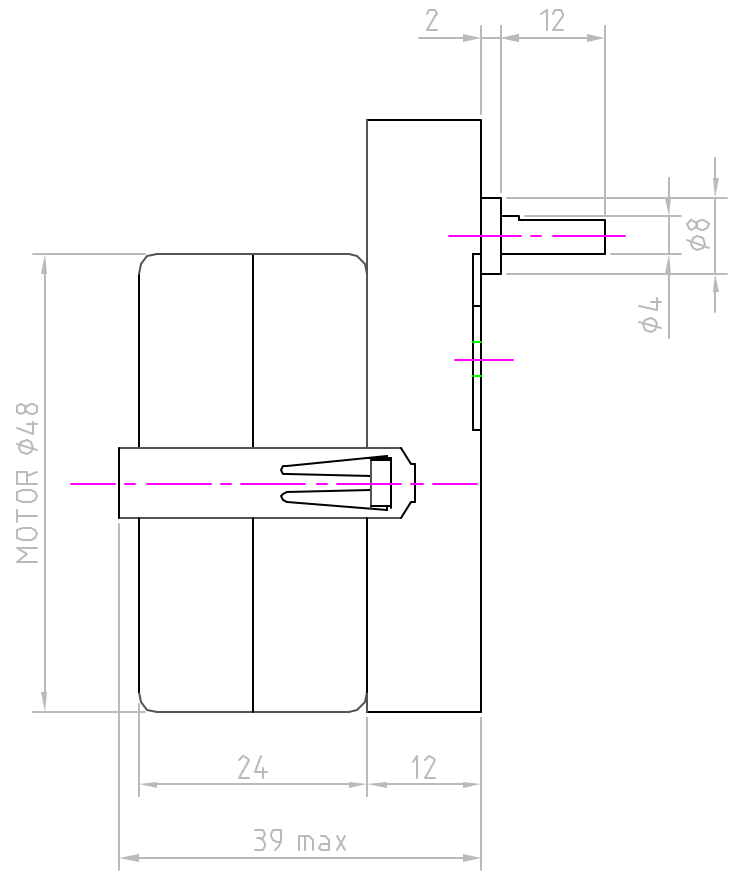
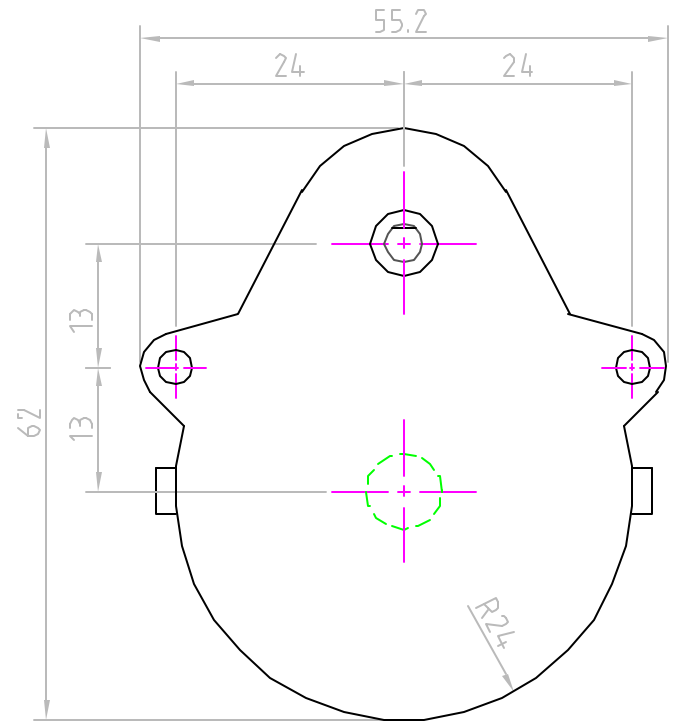


Issue/RevNo	Revision note	Date	Signature	Checked
1.1	Original Issue	15/11/12		



Item no	Quantity	Material :	Article No./Reference
Designed by Tarak Bhagat	Checked by	Approved by - date	Date 21/12/2011
Assembly Drawing MTR52			Scale
			DRAWING_NUMBER
		Edition	Sheet