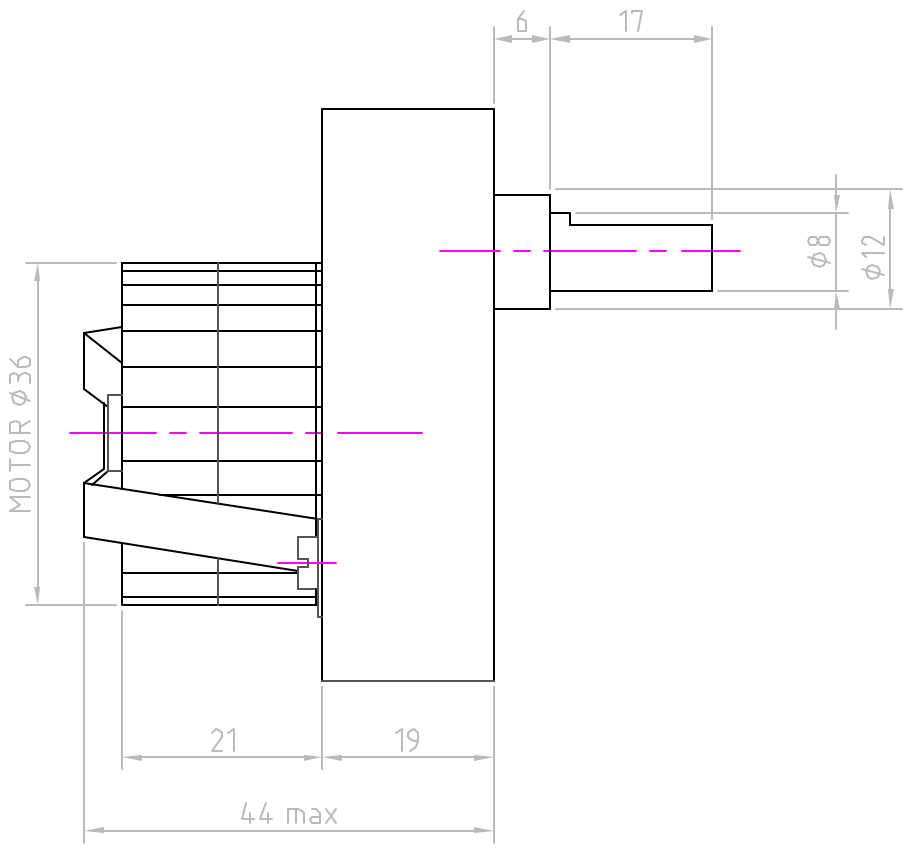
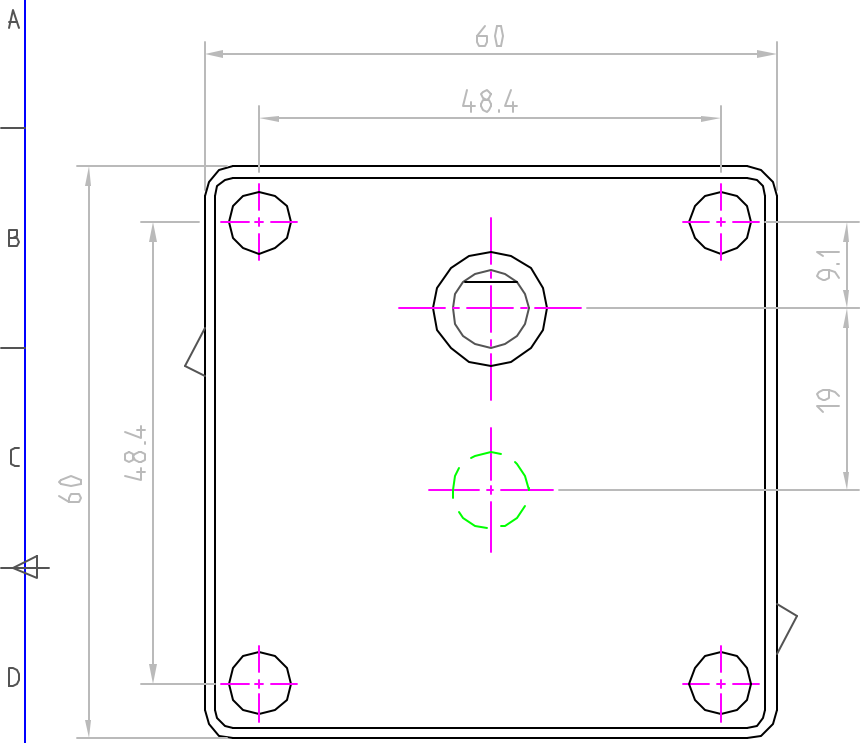


Issue/RevNo	Revision note	Date	Signature	Checked
1.1	Original Issue	1/7/13		



Item no	Quantity			Article No./Reference	
Designed by Tarak Bhagat	Checked by	Approved by - date		Date 1/7/2013	Scale
				Assembly Drawing - MTR3b3	
				DRAWING_NUMBRR	Edition Sheet