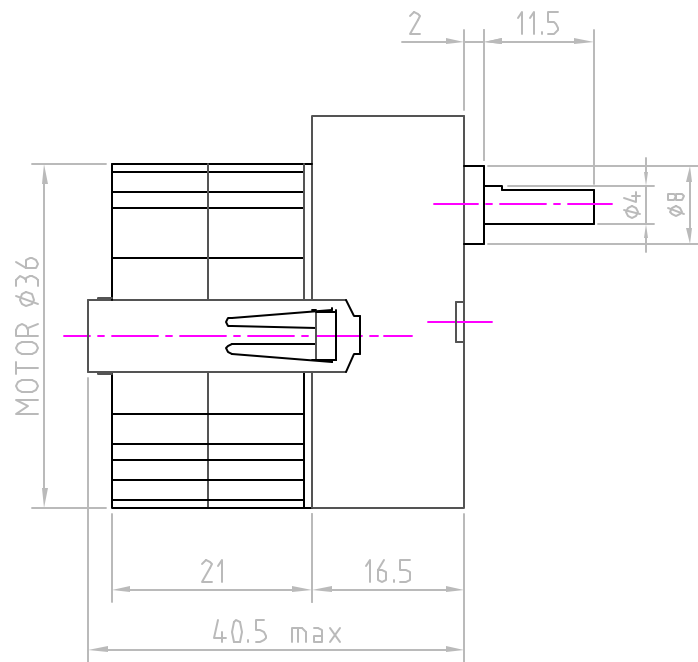
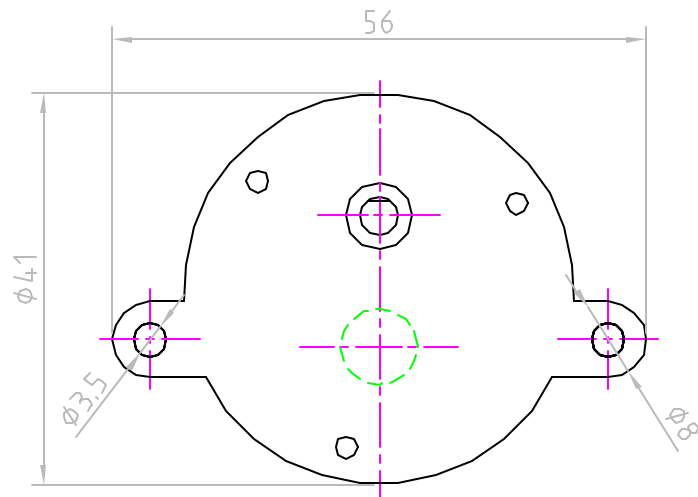


Issue/RevNo	Revision note	Date	Signature	Checked
1.1	Original Issue	28/13/15		



Item no	Quantity	Aluminium die casted	Article No./Reference
Designed by Tanak Bhagat	Checked by	Approved by - date	Date 28/13/15
ASSEMBLY DRAWING MTR3BGB380CP			Scale
DRAWING_NUMBR			Edition Sheet