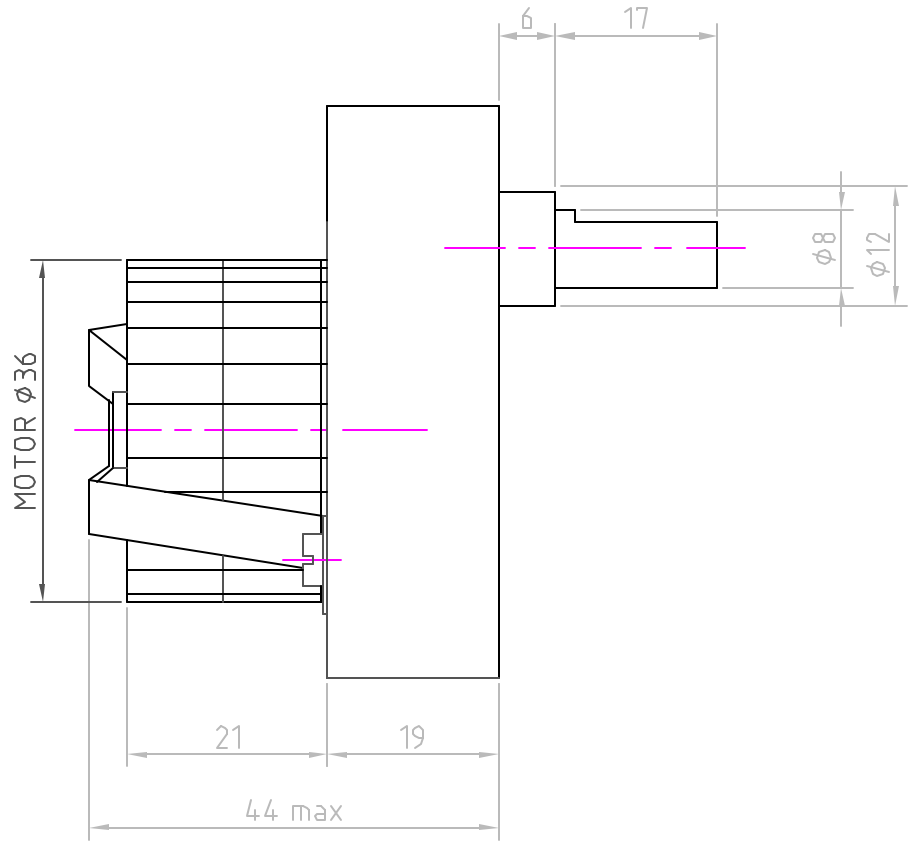
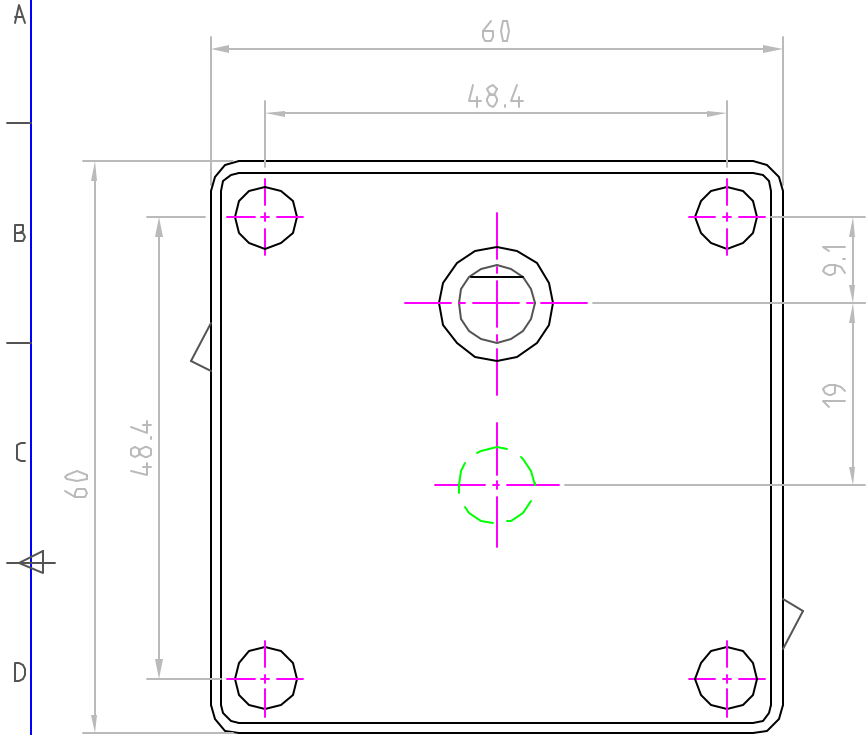


Issue/RevNo	Revision note	Date	Signature	Checked
1.1	Original Issue	1/7/13		



Itemref	Quantity			Article No./Reference	
Designed by Tarak Bhagat	Checked by	Approved by - date		Date 1/7/2013	Scale
MECHTEX ITALY SRL			Assembly Drawing - MTR3a3		
EUROPEAN BRANCH OF MECHTEX MFG			DRAWING_NUMBBR	Edition	Sheet