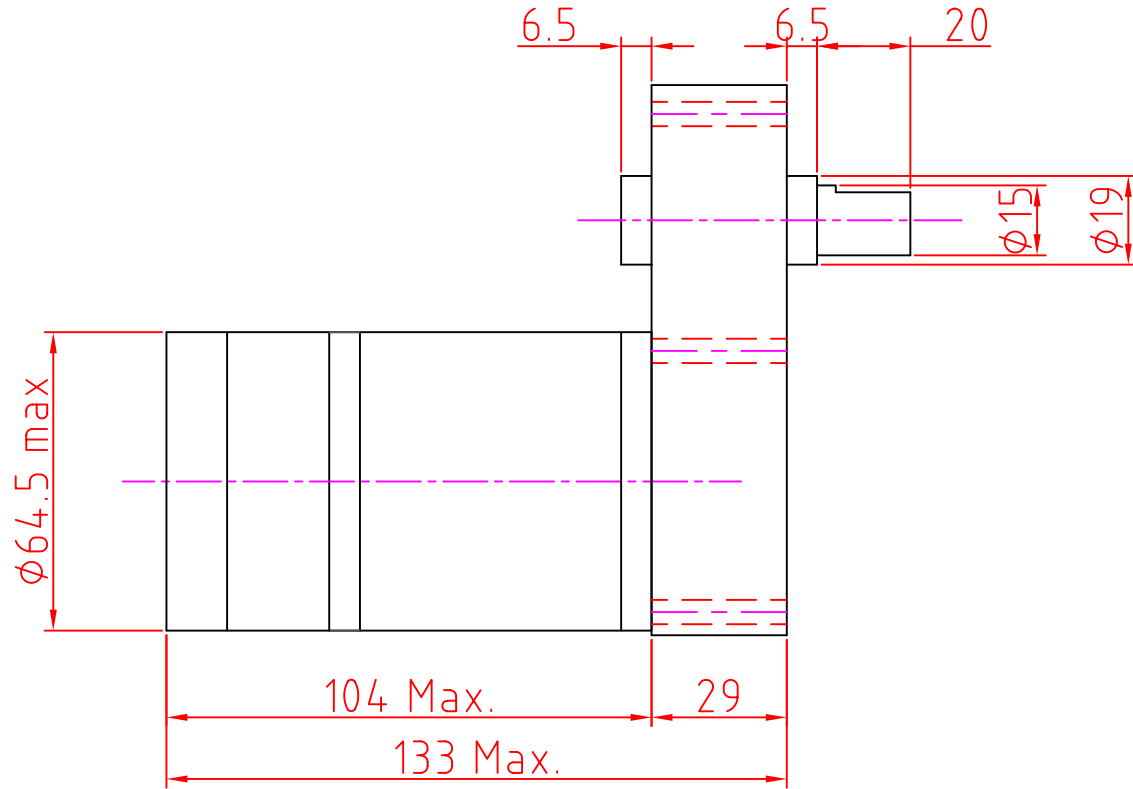


Issue/RevNo	Revision note	Date	Signature	Checked
1.0	Original Issue	07/07/08		



Itemref	Quantity	Article No./Reference		
Designed by	Checked by	Approved by - date Tarak Bhagat	Date 08	Scale 1:1
With Connector Box MTR9b-X Assembly Drawing			Edition	Sheet