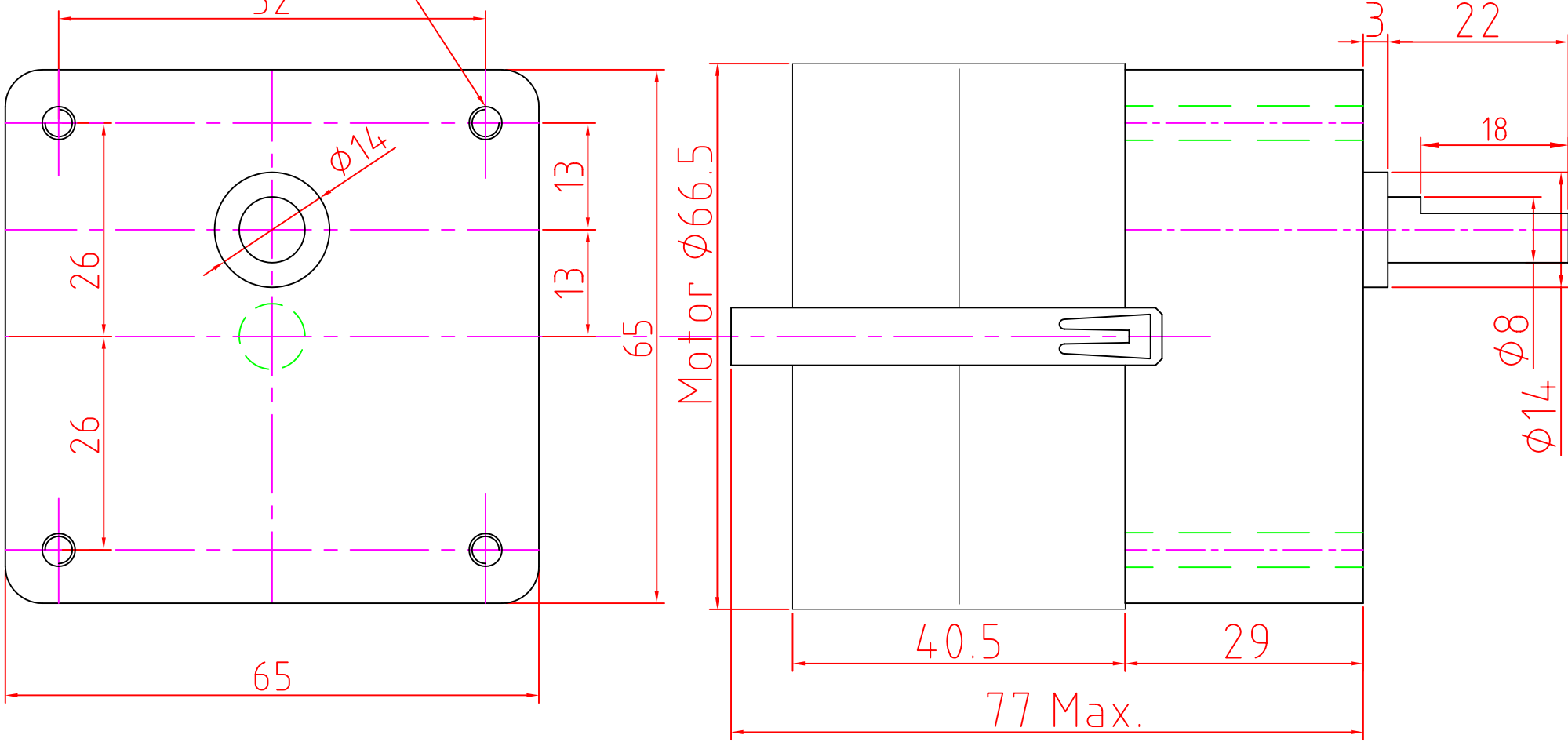


Issue/RevNo	Revision note	Date	Signature	Checked
1.0	Original Issue	06/07/08		

M4x0.7 x 4 holes standard  
4.2mm through holes OR M5 x 0.8 on request



Itemref	Quantity	Article No./Reference	
Designed by	Checked by	Approved by - date Tarak Bhagat	Date J7/08
		Assy drg MTR8cV	
		Edition	Sheet